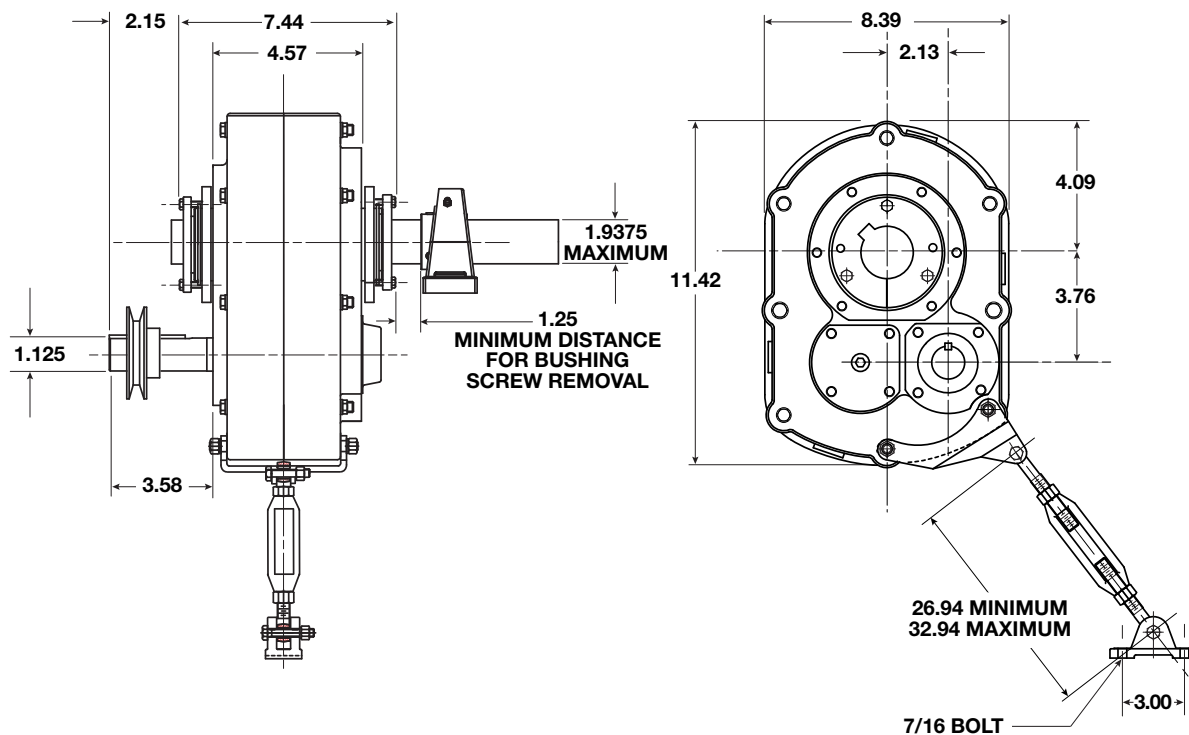




VXT2 XD Dimensions

All dimensions listed in inches



Output Hub Tapered Bushings (Other bushing sizes available by special order)

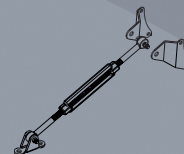
Bushing Kit Number (bore diameter)	Shaft Keyseat Required (inches)	Weight (lbs)
XBK2 1-5/16*	5/16 x 5/32 x 6-11/16	4.4
XBK2 1-3/8*	5/16 x 5/32 x 6-11/16	4.2
XBK2 1-7/16*	3/8 x 3/16 x 6-11/16	4.0
XBK2 1-1/2*	3/8 x 3/16 x 6-11/16	3.8
XBK2 1-5/8*	3/8 x 3/16 x 6-11/16	3.2
XBK2 1-11/16	3/8 x 3/16 x 6-11/16	3.4
XBK2 1-3/4	3/8 x 3/16 x 6-11/16	3.3
XBK2 1-15/16	1/2 x 1/4 x 6-11/16	2.9

*Check the driven shaft and key for adequate load capacity.

XD Style Speed Reducer (AGMA Size 115)

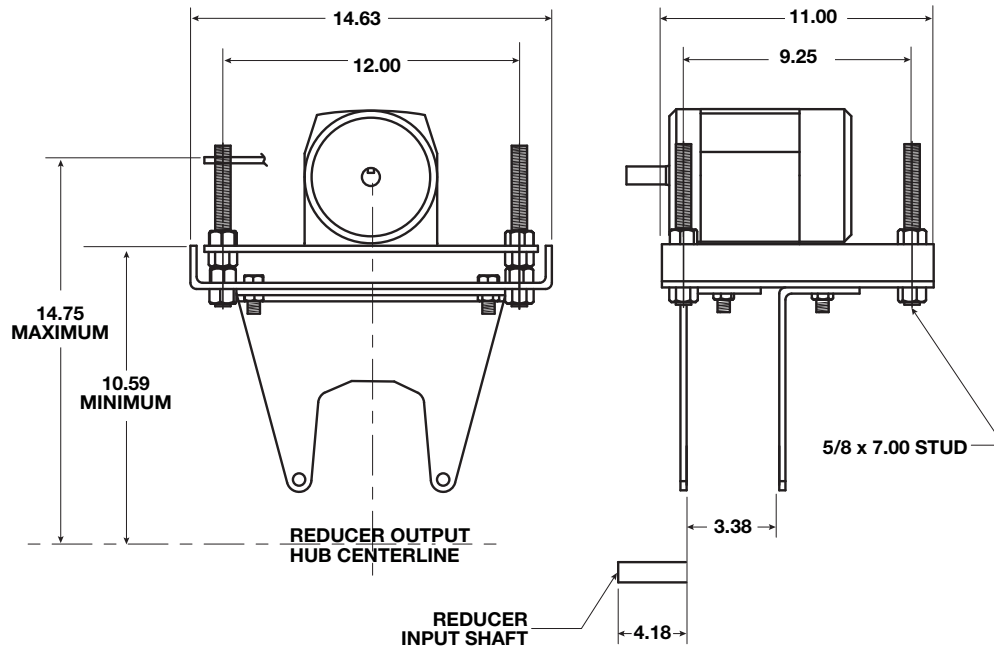
Reducer Unit	Exact Ratio	Maximum Output RPM	Weight (lbs)
VXT215 XD	14.04:1	140	60.0
VXT225 XD	23.37:1	85	60.0

Included Torque Arm



Torque Arm Kit Number	Weight (lbs)
2TA	4.0

VXT2 XD Accessories



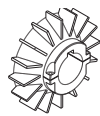
Motor Mount Kit Number	NEMA Motor Frame	Weight (lbs)
2MMA	56T-215T	37.0

V-Belt Center Distance for NEMA Frame Motors				
	56	140	180	210
Minimum	18.7	18.7	19.7	20.5
Maximum	22.1	22.1	23.1	23.9



Backstop

2BKS



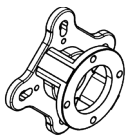
Cooling Fan Kit

2CFK



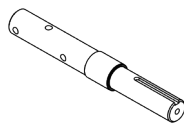
Component Replacement Repair Kit

2RK



Screw Conveyor Flange

2SCF



Screw Conveyor Drive Shaft

2SCDS

Output Shaft Diameter Options (in)

1-1/2

2

2-7/16

3



Screw Conveyor Shaft Removal Wedge

2SCRW

